



产品获ABS、BV、CCS、CE等认证
 We can provide ABS, BV, CCS, CE and other related certificates for our products
 中国重型机械会员单位
 Member of China Heavy Machinery Industry
 拥有多项发明专利
 Own many patents for Inventions
 按需生产优质抓斗厂家
 Provide perfect grabs according to customer's request
 保质期内免费上门维修, 终身保修
 Free maintenance provided in guarantee period, lifetime warranty

合作伙伴 Partners



立足新起点 开创新局面
 BASED ON A NEW STARTING POINT CREATE A NEW SITUATION

中国·上海
 Shanghai, China

上海贯博起重设备有限公司
 Shanghai Guanbo Machinery Equipment Co., Ltd

总部地址: 上海市浦东新区沪南路3736弄5号2幢2楼
 MARKETING Add: 2F, No.2, 3736-5 Hunan Road, Pudong, Shanghai, China.
 工厂地址: 江苏省无锡市惠山区阳山配套区天顺路9号
 Factory Add: No.9 Tianshun Road, Huishan Economic Development Zone, Wuxi, Jiangsu, China.
 Email: sales@gbm-china.com
 Tel: 0086-21-50880140/50880137 Fax: 0086-21-50880140
 Website: www.gbm-china.com www.gbm-grab.com



上海贯博起重设备有限公司
 SHANGHAI GUANBO MACHINERY EQUIPMENT CO., LTD



企业简介

Company Profile

上海贯博起重设备有限公司是集港口\海洋\工程机械的设计、研发、制造、销售、服务为一体的大型综合性企业。公司拥有各种大型机械加工设备及可靠的生产工艺、完善的检验检测手段、严格的质量保证体系。

上海贯博起重设备有限公司为客户提供优良快捷的解决方案，服务于起重市场,提供强有力的技术支持,供应零缺陷的产品。

作为全球领先的港口\海洋\工程机械成套装备制造商,GBM的优势在于可向客户提供港口、船运装卸的整体解决方案和模块化交付,并不断基于非标产品开发和海工应用领域不断推出尖端产品.从冰天雪地到热带雨林,从浩瀚海洋到茫茫大漠,我们的抓斗、吊具、漏斗、吊机等上千台装卸设备已应用于世界各大港口、船务公司,与客户并肩作战,共同创造着起重装运行业的历史。

Shanghai Guanbo Machinery Equipment Co.,Ltd is specialized in design, manufacturing, development and marketing all kinds of machines, including port machines/marine cranes/engineering machines, with reliable production processing, perfect testing defections, strict quality guarantee system.

Shanghai Guanbo Machinery Equipment Co.,Ltd provide more effective solutions, devoted to serve for material handling market, provide our customers with strong technical support and perfect products.

As one of the leading complete equipment of the port /marine/ engineering industry manufacturers around the world, GBM is good at providing a series of solutions for port and ship loading & unloading & modular delivery, and put out top-level product. Thousands of GBM grabs, spreaders, hoppers & deck cranes have been widely used on ports and ship management companies all over the world. We always fight alongside our customers, creating history of material handling industry together.

企业资质 Company Qualification



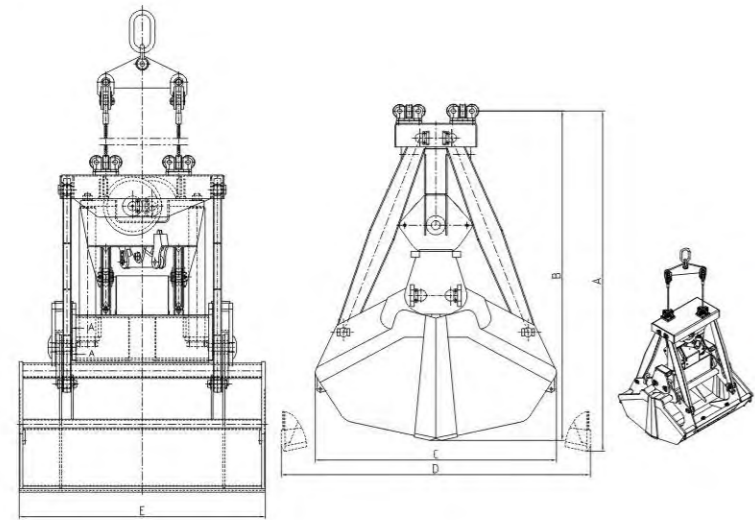
生产设备 Production Equipment



无线遥控抓斗 Wireless Remote Control Grab

无线电遥控抓斗是将无线电遥控技术应用于单索抓斗上的散货抓斗，常配合单钩起重机使用，解决了单索抓斗工作效率低，操作强度大的难点，尤其适用于单钩型的起重机和船用吊塔，其工作可靠，操作简便。采用无线电控制，可以在空中任意位置开斗卸料。

It is a merging of radio remote control technology into single rope grab for handling bulk materials. It is particularly designed for operation with single-hook crane and ship crane, with reliable performance and easy operation procedure. The grab could be open at any position in the air.

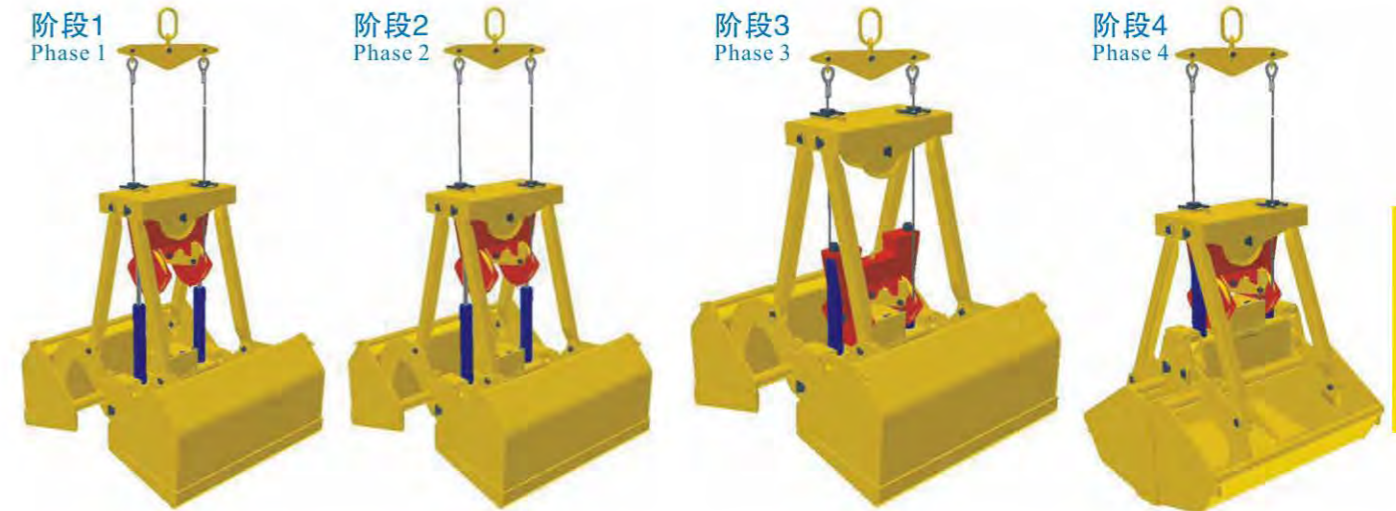


型号 Model (RC)	总起重量 SWL (t)	自重 Dead weight (kg)	斗容 Capacity (m³)	钢丝绳直径 Wire rope diameter (mm)	滑轮 Pulley		外形尺寸 Overall dimensions (mm)				
					直径 Diameter(mm)	倍率 Rate	A	B	C	D	E
RC12.5-1.8-4300	12.5	4760	4.3	24	450	3	3080	2980	2240	2920	2420
RC16.0-1.8-5400	16	6180	5.4	26	500	3	3360	3220	2500	3180	2500
RC20.0-1.8-6700	20	7830	6.7	28	560	3	3600	3480	2640	3400	2700
RC25.0-1.8-8500	25	9630	8.5	32	630	3	4060	3940	2880	3710	3000
RC32.0-1.8-11500	32	11140	11.5	36	710	3	4620	4240	3310	4160	3260
RC12.5-1.8/2.6-4300/2900	16	4880	4.3/2.9	24	450	3	3080	2980	2240	2920	2420
RC16.0-1.8/2.6-5400/3700	16	6280	5.4/3.7	26	500	3	3360	3220	2500	3180	2500
RC20.0-1.8/2.6-6700/4600	20	7920	6.7/4.6	28	560	3	3600	3480	2640	3400	2700
RC25.0-1.8/2.6-8500/5700	25	9700	8.5/5.7	32	630	3	4060	3940	2880	3710	3000
RC32.0-1.8/2.6-11500/8000	32	11200	11.5/8.0	36	710	3	4620	4240	3310	4160	3260
RC20.0-1.0/1.8-10000/6600	20	8120	10.0/6.6	28	560	3	3910	3770	2950	3920	3000
RC25.0-1.8/1.8-12000/8300	25	9960	12.0/8.3	32	630	3	4300	4160	3140	4120	3300



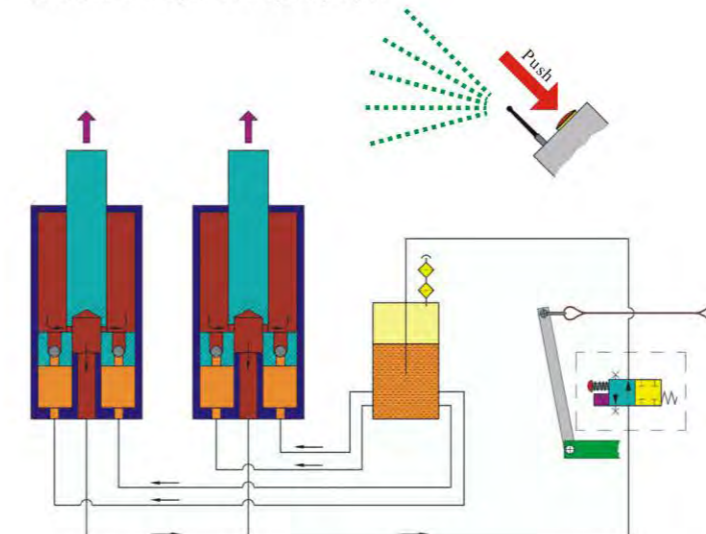
优点 Advantages

- 无电源要求 No power supply required
- 抓取稳定对物料没有特殊要求 Stable and no special requirement for material
- 操作容易 Easy handling
- 快速关闭和开启 Fast closing and opening
- 提升能力转化为闭合力 Crane's lifting power is converted into closing force
- 耐磨液压装置 Low wear of hydraulic fluid
- 液压系统使用寿命长 Long service life of the hydraulic system



功能描述 Functional Description

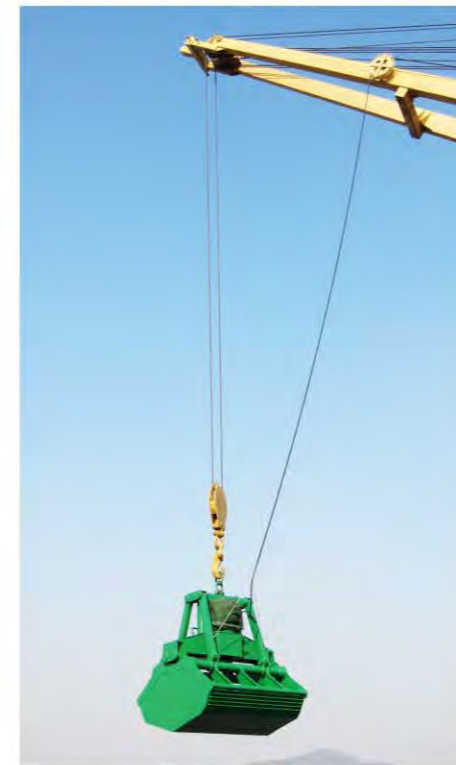
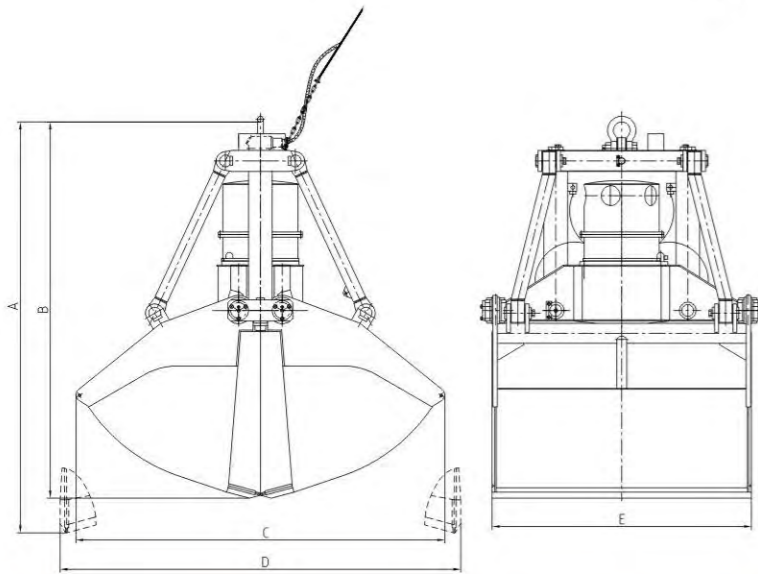
发射器的信号是一个临时信号
The transmitters signal is a temporary signal



电动液压双瓣抓斗 Electro-Hydraulic Clamshell Grab

它主要适合抓取粉状和颗粒状散货物料（如煤炭、焦炭、矿砂、黄沙等散货物料），可配合塔吊、船吊、卸船机等各类型的起重机。抓斗自带液压系统，液压系统主要元件采用国外知名产品，使得抓斗具有卓越的性能。抓斗结构简单，操作方便，能在各种恶劣环境下工作。

It is mainly designed for handling powder and bulk materials such as chemicals, fertilizer, grain, coal, coke, iron ore, sand, particle construction materials and smashed rocks etc. It has been widely used on ports, steel plants, power stations, ships and garbage treatment plants, and is used together with tower cranes, ship cranes, ship unloaders, traveling cranes and other type of cranes. The grab has its own hydraulic system, all key elements are imported well-known brands to ensure the high performance of grab. It is simple in structure, easy operation and stable in working under all kinds of severe circumstances.



配件 Accessories



电缆卷筒 Cable Drum



钢丝绳卷筒 Wire Rope Drum



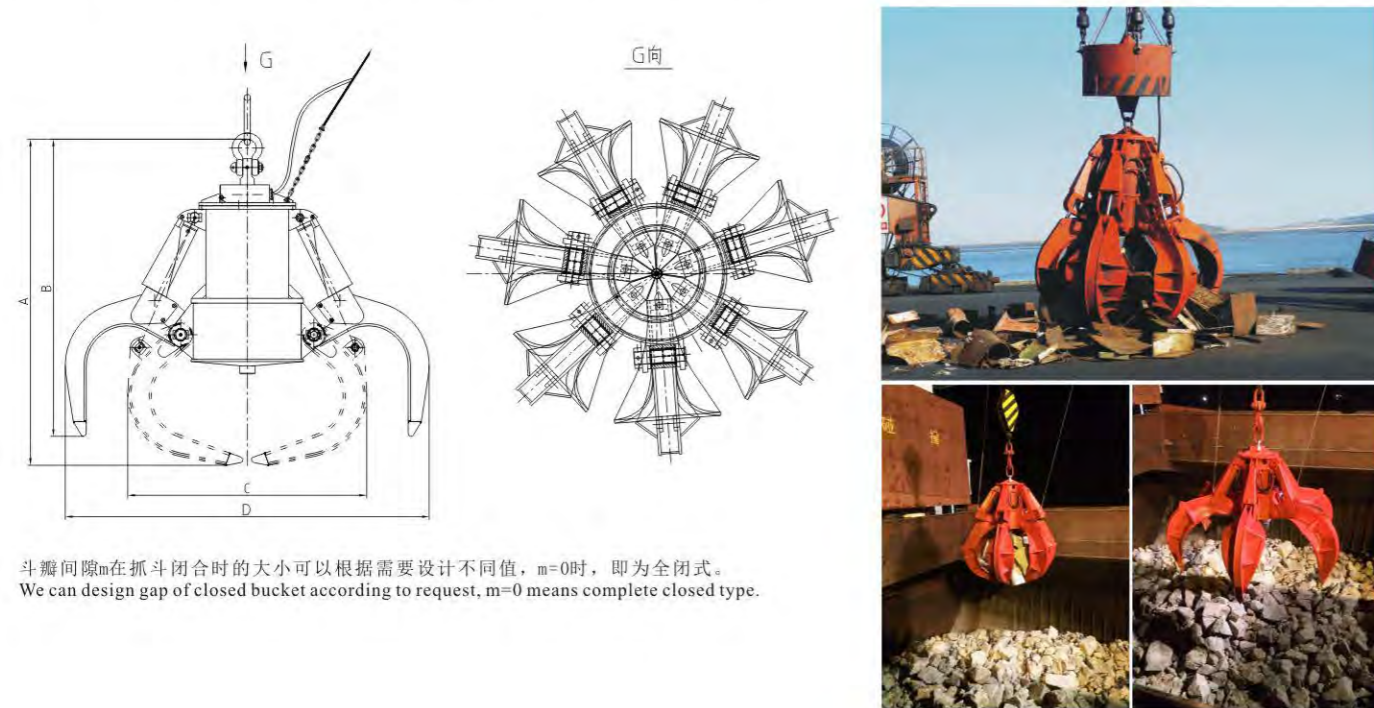
导轮 Guide Wheel

型号 Model (MHB)	功率 Power source (kw)		自重 Dead weight (kg)	总起重量 SWL (t)	斗容 Capacity (m ³)	最大工作压力 Max working pressure (bar)	闭合时间 Close time (s)		外形尺寸 Overall dimensions (mm)				
	380V50Hz	440V60Hz					380V50Hz	440V60Hz	A	B	C	D	E
MHB15.0-3000	15	18	2870	5.3	3	180	11	9	2650	2440	2020	2750	2300
MHB15.0-4000	15	18	3020	6.3	4	180	11	9	2800	2570	2140	2880	2300
MHB18.5-5000	18.5	22	3670	7.7	5	180	13	11	2980	2740	2300	3080	2500
MHB18.5-6000	18.5	22	3980	8.8	6	180	13	11	3100	2780	2470	3260	2500
MHB22.0-7000	22	26	4720	10.4	7	180	18	15	3190	2880	2540	3340	2700
MHB22.0-8000	22	26	5460	11.9	8	180	18	15	3310	3030	2620	3460	2900
MHB30.0-9000	30	35	6740	14	9	200	18	15	3660	3260	2760	3710	2940
MHB30.0-10000	30	35	7120	15.2	10	200	18	15	3660	3260	2760	3710	3200
MHB30.0-11000	30	35	7520	16.4	11	200	18	15	3720	3280	2860	3890	3200
MHB37.0-12000	37	44	9060	18.7	12	200	19	16	3920	3590	2960	3910	3500
MHB37.0-13000	37	44	9560	20	13	200	19	16	4030	3620	3050	4010	3500
MHB37.0-14000	37	44	10060	21.3	14	200	19	16	4090	3640	3120	4180	3500
MHB45.0-15000	45	54	11080	23.1	15	220	19	16	4190	3720	3220	4220	3800
MHB45.0-16000	45	54	11680	24.5	16	220	19	16	4370	4050	3310	4240	3800
MHB45.0-18000	45	54	12820	27.2	18	220	19	16	4470	4120	3400	4390	4000
MHB55.0-20000	55	66	15980	32	20	220	21	19	4600	4190	3480	4670	4000
MHB55.0-23000	55	66	16860	35.3	23	220	21	19	4850	4430	3590	4830	4150
MHB55.0-25000	55	66	17780	37.8	25	220	21	19	4850	4430	3590	4830	4500

电动液压废钢抓斗 Electric Hydraulic Scrap Grab

它主要适合抓取块状、颗粒状和形状不规则的散货物料（如焦炭、生铁块、废钢、炉渣、垃圾、石块等散货物料），广泛应用于码头、钢厂、垃圾焚烧处理工厂等场所作业，可配合塔吊、卸船机和行车等各类型的起重机。抓斗自带液压系统，液压系统主要元件采用国外知名产品，使得抓斗具有卓越的性能。抓斗结构简单，操作方便，装卸效率高。

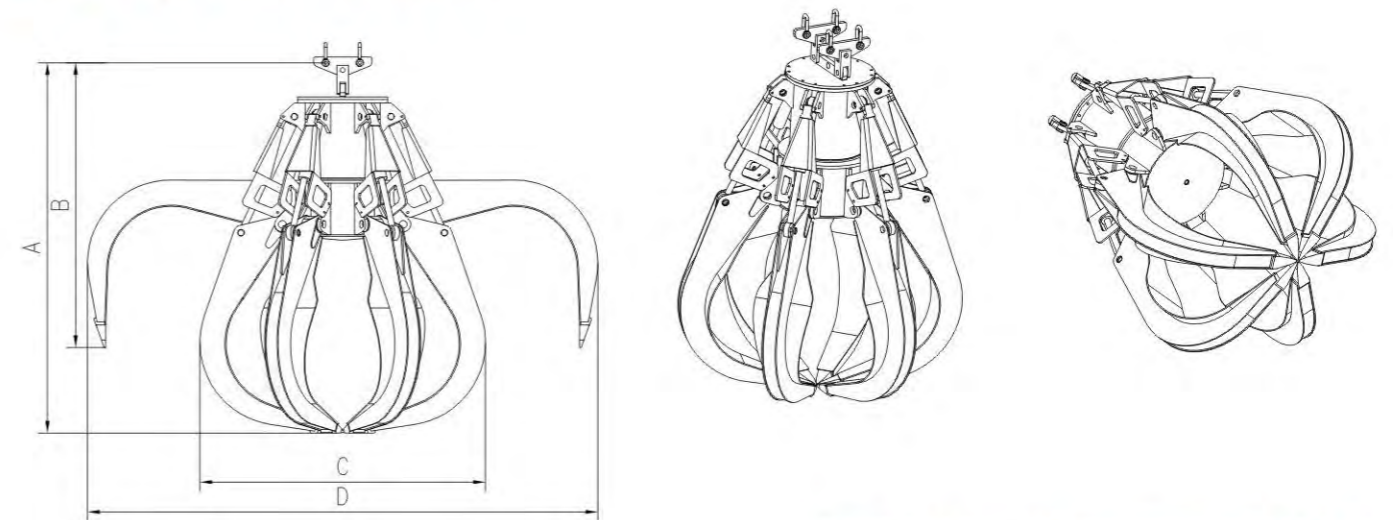
It is mainly designed for handling bulk materials in blocks, particles and irregular shapes, such as coke, pig iron, steel scrap, slag, garbage and rock etc. It is widely used on ports, steel plants and garbage treatment plants, with tower cranes, ship unloaders, traveling cranes and other type of cranes. The grab has its own hydraulic system, all key elements are imported well-known brands to ensure high performance of grab. It is simple in structure and easy to operate.



斗瓣间隙m在抓斗闭合时的大小可以根据需要设计不同值，m=0时，即为全闭式。
We can design gap of closed bucket according to request, m=0 means complete closed type.

型号 Model (MHB)	功率 Power source (kw)		自重 Dead weight (kg)	总起重量 SWL (t)	斗容 Capacity (m³)	最大工作压力 Max working pressure (bar)	斗瓣数 No. of peels	闭合时间 Close time (s)		外形尺寸 Overall dimensions (mm)			
	380V50Hz	440V60Hz						380V50Hz	440V60Hz	A	B	C	D
MHM15.0-350	15	18	1410	2.5	0.35	180	5	8	6.5	1840	1710	1330	2030
MHM15.0-500	15	18	1580	3.2	0.5	180	5	8	6.5	1980	1740	1460	2370
MHM15.0-630	15	18	1620	3.6	0.63	180	5	8	6.5	2040	1760	1520	2480
MHM22.0-800	22	26	2790	5.2	0.8	180	6	11	9	2420	2190	1720	2660
MHM22.0-1000	22	26	2960	6	1	180	6	11	9	2580	2240	1880	3010
MHM30.0-1250	30	35	3980	7.8	1.25	180	6	14	12	2840	2470	1960	3290
MHM30.0-1600	30	35	4270	9.1	1.6	180	6	14	12	2880	2490	2050	3380
MHM37.0-2000	37	44	5980	12.2	2	200	6	15	13	3320	2810	2320	3680
MHM37.0-2500	37	44	6170	13.8	2.5	200	6	15	13	3390	2870	2440	3880
MHM45.0-3200	45	54	8280	18	3.2	200	7	20	17	3540	3110	2580	4240
MHM45.0-4000	45	54	8630	20.7	4	200	7	20	17	3710	3170	2830	4600
MHM45.0-5000	45	54	9180	24.2	5	200	7	23	20	4080	3350	2980	4790
MHM45.0-6300	45	54	9610	28.6	6.3	200	7	23	20	4320	3530	3220	5170
MHM55.0-7000	55	66	10600	31.6	7	200	8	26	22	4620	3700	3480	5640
MHM55.0-8000	55	66	11020	35	8	200	8	26	22	4880	3930	3690	5880
MHM55.0-9000	55	66	11430	38.5	9	220	8	26	22	5060	4010	3860	6050
MHM55.0-10000	55	66	11780	41.8	10	220	8	26	22	5230	4180	4020	6210

电动液压垃圾抓斗 Electric Hydraulic Rubbish Grab



型号 Model (MHM)	起重量 SWL (t)	斗容 Capacity (m³)	闭合时间 Close time (s)	打开时间 Open time (s)	最大工作压力 Max working pressure (bar)	打开压力 Open pressure (bar)	功率 Power source (kw)	自重 Dead weight (kg)	斗瓣数 No. of peels	外形尺寸 Overall dimensions (mm)				液压油缸 Hydraulic oil cylinder
										闭合高度 Close height	打开高度 Open height	闭合宽度 Close width	打开宽度 Open width	
MHM18.5-4000	6.7	4	11.5	7	180	120	18.5	3110	6	2857	2081	2563	3981	80×390
MHM22.0-5000	7.7	5	11.5	7	180	120	22	3250	6	2961	2216	2724	4166	80×390
MHM30.0-6300	10.2	6.3	13.5	7.5	180	120	30	4800	6	3433	2586	2975	4633	90×500
MHM30.0-8000	12	8	13.5	7.5	200	120	30	5250	6	3522	2578	3198	4932	90×500
MHM37.0-10000	15.2	10	19	11	200	120	37	6900	6	3867	2811	3480	5408	125×500
MHM45.0-12000	17.1	12	17	14.5	200	120	45	7490	6	4320	3540	3960	5360	125×500

液压双瓣抓斗 Hydraulic Clamshell Grab

适用范围 Application

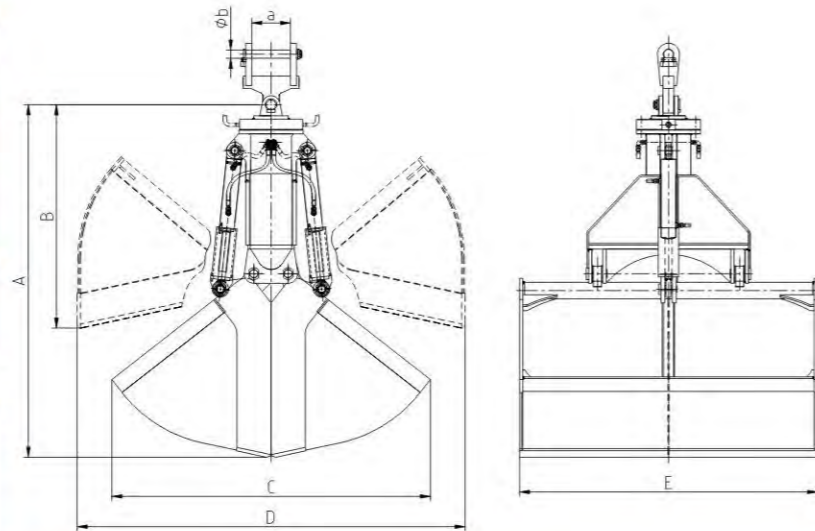
适用建筑基地的基坑挖掘、深坑挖掘及泥、沙、煤、碎石的装载。特别适用于沟或受限制的空间的一侧进行挖掘和装载。适用港口船舶、火车、汽车的装卸。

Used for building base of foundation pit digging mining, pit mining, gravel and clay, sand, coal loading. Particularly applicable to ditch or restricted space on one side of the excavation and loading. Apply to port ship, train and car.

性能特征 Feature

采用双油缸驱动，高强度钢制作。液压闭合力大，有优异挖掘特性，工作效率高。按客户需求分液压回转和不带液压回转两种，不带液压回转的挖掘机抓斗利用挖掘机油缸或备用管路，不用另外添加液压阀块和管路。带液压回转的挖掘机抓斗要另添一套液压阀块及管路来控制，油缸配制活塞保护装置。

With double oil cylinders drive and made by high strength steel. With big closing force, excellent mining properties, and high working efficiency. Hydraulic turning points according to the customers' demand, excavator grab without hydraulic rotary use the oil cylinder or standby pipeline, no need to add other hydraulic valve block and pipeline. Rotary hydraulic excavator grab need to add another set of hydraulic valve and pipeline to control, oil cylinder is equipped with the piston protective device.



抓斗型号 Model (HBG-1)	自重 Dead weight (kg)	斗容 Capacity (m³)	物料比重 Density (t/m³)	配套机重 Weight of matched excavator (t)	外形尺寸 Overall dimensions (mm)				
					A	B	C	D	E
HBG400-1	560	0.4	0.4-1.2	5	1260	810	1100	1350	950
HBG500-1	650	0.5	0.4-1.2	6.25	1350	870	1200	1460	1020
HBG630-1	770	0.63	0.4-1.2	7.6	1450	930	1290	1570	1100
HBG800-1	920	0.8	0.4-1.2	9.4	1510	960	1340	1635	1250
HBG1000-1	1070	1.0	0.4-1.2	11.34	1620	1030	1880	1760	1360
HBG1250-1	1240	1.25	0.4-1.2	13.7	1740	1100	1450	1895	1450
HBG1600-1	1500	1.6	0.4-1.2	17.1	1890	1560	1690	2060	1580
HBG2000-1	1740	2.0	0.4-1.2	20.7	2030	1290	1820	2220	1700
HBG2500-1	2010	2.5	0.4-1.2	25.1	2180	1385	1960	2390	1830
HBG3000-1	2170	3.0	0.4-1.2	28.8	2315	1470	2085	2540	1940
HBG3500-1	2260	3.5	0.4-1.2	32.3	2430	1540	2195	2670	2040
HBG4200-1	2380	4.2	0.4-1.2	37.1	2580	1635	2330	2840	2170

液压多瓣抓斗 Hydraulic Orange Peel Grab

适用范围 Application

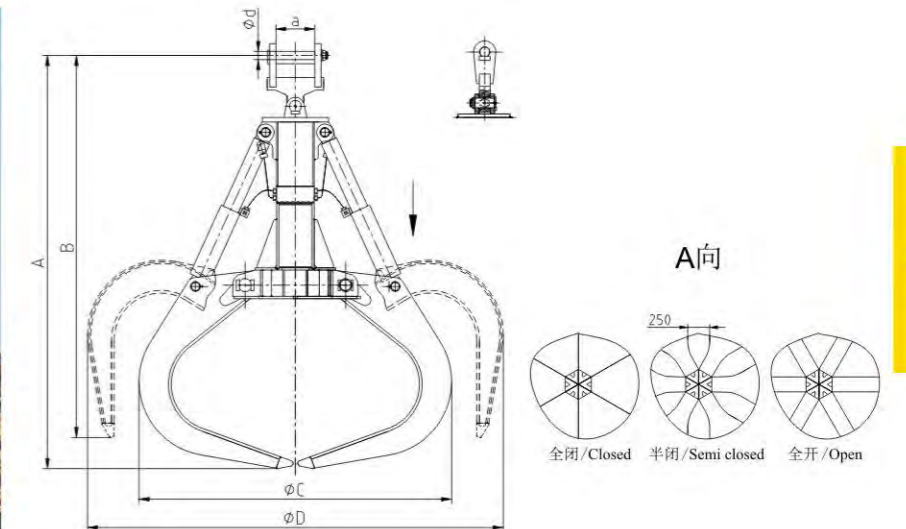
适用于码头、堆场、垃圾站、建筑基地及车间抓取作业等，抓取石块、废旧金属、工业废料、建筑垃圾、生活垃圾

Used on port, stock dump, garbage station, building site and workshop etc for grabbing stones, metal scrap, industrial waste, construction waste and living garbage.

性能特征 Feature

按客户需求分液压回转和不带液压回转两种，不带液压回转的挖掘机抓斗利用挖掘机油缸或备用管路，不用另外添加液压阀块和管路。带液压回转的挖掘机抓斗要另添一套液压阀块及管路来控制，油缸配制活塞保护装置，关键部位适用HARDOX板。

Hydraulic turning points according to the customer's demand, excavator grab without hydraulic rotary use the oil cylinder or standby pipeline, no need to add other hydraulic valve block and pipeline. Rotary hydraulic excavator grab need to add another set of hydraulic valve and pipeline to control, oil cylinder is equipped with the piston protective device, HARDOX plate is adopted for the key parts.

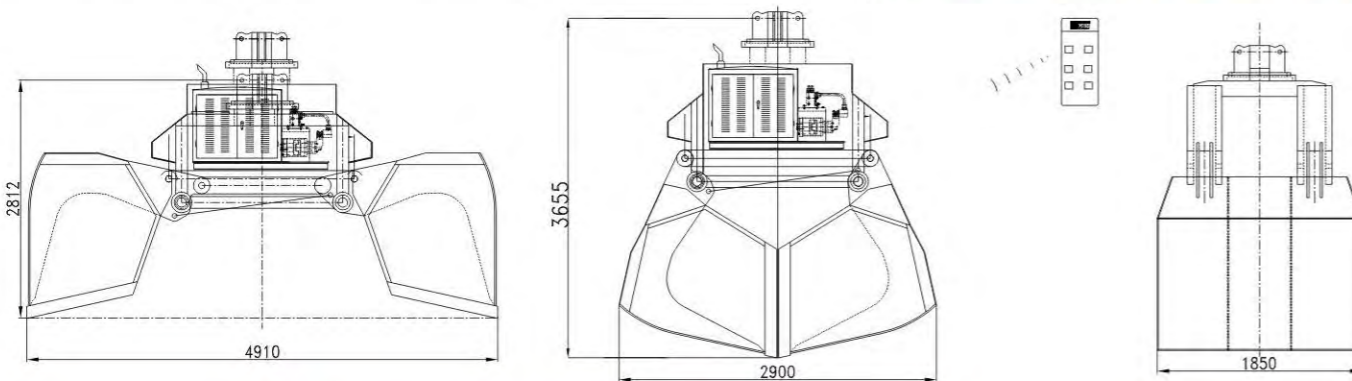


抓斗型号 Model (HMG-1)	自重 Dead weight (kg)			斗容 Capacity (m³)	斗瓣数 No. of peels	配套机重 weight of matched excavator (t)	外形尺寸 Overall dimensions (mm)			
	全闭 Closed	半闭 Semi closed	全开 Open				A	B	C	D
HMG250-1L	425	410	395	0.25	5	3-5	1570	1280	1140	1720
HMG330-1	1010	930	900	0.33	5	7-10	1760	1410	1290	1980
HMG400-1	1060	980	950	0.4	5	7-10	1800	1430	1350	2080
HMG500-1	1240	1140	1060	0.5	5	10-12	1860	1460	1440	2200
HMG630-1	1420	1300	1180	0.63	5	13-16	1920	1490	1520	2280
HMG800-1	1960	1850	1700	0.8	5	17-20	2080	1680	1690	2430
HMG1000-1	2350	2020	1830	1.0	5	21-25	2260	1960	1880	2650
HMG1250-1S	3020	2830	2700	1.25	6	30-40	2530	2260	1960	2860
HMG1600-1S	3160	2920	2760	1.6	6	30-40	2720	2450	2150	2860
HMG2000-1S	3320	3040	2860	2.0	6	50	2880	2640	2300	3080

柴油机抓斗 Diesel Engine Grab

无线遥控柴油机抓斗为我公司最新研制出的高端抓斗，通过抓斗内置柴油机驱动液压系统产生动能，无需额外配置电缆卷筒及电缆等配件，兼了遥控抓斗的多点位操控的便捷性以及电动液压抓斗的高装卸效率。

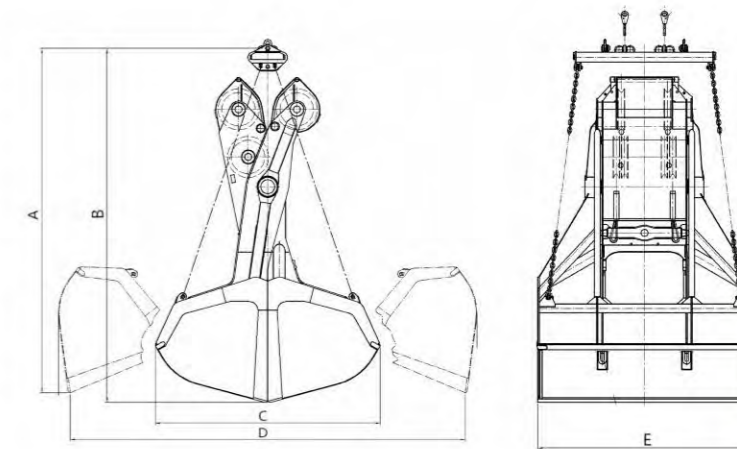
Wireless remote control diesel engine grab is a new type and top-level grab developed by our company, the diesel engine inside grab connected to hydraulic system and generates power directly, no need extra drums and cables, so it can be operated as remote control grab at any position and also has electric hydraulic grab's high efficiency for loading and unloading.



剪式抓斗 Scissors Grab

剪式抓斗是一种由主铰联结的剪刀状结构，依靠剪刀臂连接整个斗体，结构简单，臂上安装有滑轮组、斗瓣、斗瓣加强梁及加强管。支撑链条固定在加强管上，与上部联系梁连接后起到提升整个抓斗的作用。在钢丝绳缠绕系统作用下，剪刀臂通过中心铰轴作旋转运动实现打开和闭合。

Scissors grab is scissors structure which is connected by main hinge, and scoop is connected by scissors beam, simple structure. There will be pulley, strengthening beam and tube installed on beam. Support chain is fixed on strengthening tube to connect with upper beam to lift the whole grab. The open and close of scissors beam is controlled by shaft rotation of center hinge under action of wire rope winding system.

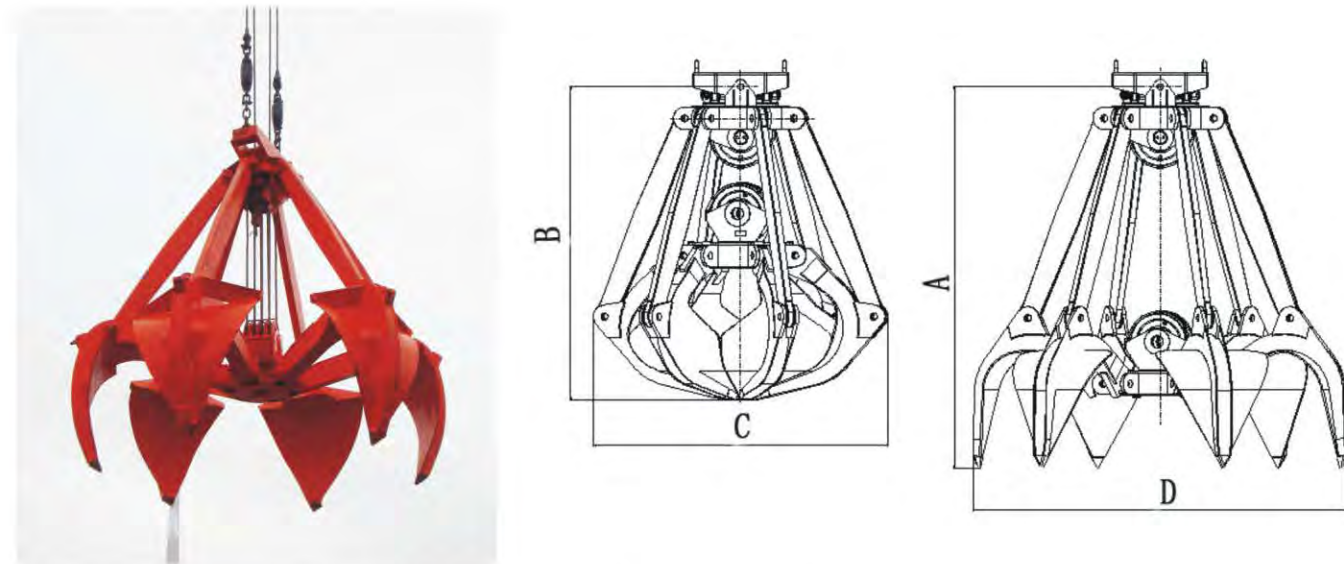


型号 Model (GBM)	物料比重 Density (t/m ³)	自重 Dead weight (kg)	总起重量 SWL (t)	斗容 Capacity (m ³)	滑轮 Pulley		钢丝绳 Wire rope			外形尺寸 Overall dimensions (mm)				
					直径 Diameter (mm)	倍率 Rate	直径 Diameter (mm)	长度 Length (m)	行程 Route (mm)	A	B	C	D	E
GBM10.0-0.8-7800	0.8	3760	10.0	7.8	450	2	22	14.2	4980	3960	4300	2705	4510	2860
GBM12.5-0.8-9600	0.8	4820	12.5	9.6	500	2	24	15.6	5260	4320	4680	2840	4820	3000
GBM16.0-0.8-12500	0.8	6000	16.0	12.5	560	2	26	17.0	5950	4725	5110	3005	5200	3200
GBM20.0-0.8-15500	0.8	7600	20.0	15.5	630	2	28	19.0	6680	5200	5630	3220	5645	3400
GBM25.0-0.8-19400	0.8	9480	25.0	19.4	630	2	32	20.2	6820	5360	5840	3520	6020	3670
GBM32.0-0.8-24000	0.8	12800	32.0	24.0	710	2	36	21.5	7580	5960	6480	3800	6560	3820
GBM40.0-0.8-30200	0.8	15840	40.0	30.2	800	2	40	24.3	8520	6630	7220	4180	7170	4050
GBM50.0-0.8-37500	0.8	20000	50.0	37.5	900	2	44	25.8	9250	7180	7820	4500	7680	4280
GBM63.0-0.8-47200	0.8	2524	63.0	47.2	1000	2	48	30.0	11030	8080	8570	4830	8570	4630
GBM10.0-1.0-6300	1.0	3700	10.0	6.3	450	2	22	14.2	4980	3960	4300	2705	4510	2310
GBM12.5-1.0-7800	1.0	4700	12.5	7.8	500	2	24	15.6	5260	4320	4680	2840	4820	2440
GBM16.0-1.0-10000	1.0	6000	16.0	10.0	560	2	26	17.0	5950	4725	5110	3005	5200	2560
GBM20.0-1.0-12400	1.0	7600	20.0	12.4	630	2	28	19.0	6680	5200	5630	3220	5645	2720
GBM25.0-1.0-15700	1.0	9300	25.0	15.7	630	2	32	20.2	6820	5360	5840	3520	6020	2970
GBM32.0-1.0-19800	1.0	12200	32.0	19.8	710	2	36	21.5	7580	5960	6480	3800	6560	3150
GBM40.0-1.0-24600	1.0	15400	40.0	24.6	800	2	40	24.3	8520	6630	7220	4180	7170	3300
GBM50.0-1.0-30800	1.0	19400	50.0	30.6	900	2	44	25.8	9250	7180	7820	4500	7680	3500
GBM63.0-1.0-38600	1.0	24400	63.0	38.6	1000	2	48	30.0	11030	8080	8570	4830	8570	3800

机械抓斗 Mechanical Grab

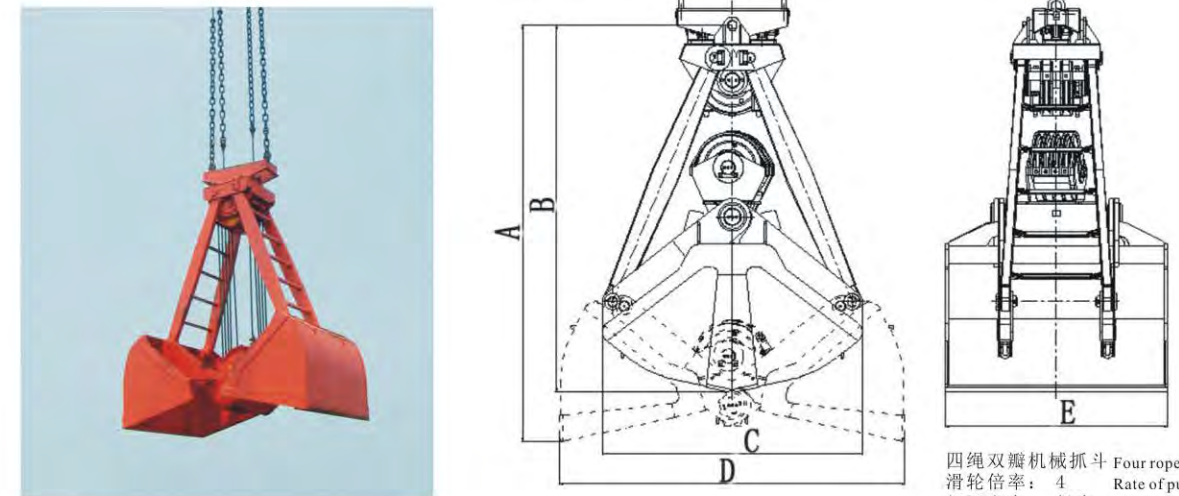
配合吊机工作，它的连接形式根据吊机而定可分为四索、双索、单索。它的设计形式很多样化，可以多瓣适合抓取石块、废钢、垃圾等不规则物体；它还可以设计为双瓣适合抓取煤、沙、矿、粮食、水泥等散货。它还可以设计为叉式抓取木材。

Operation with crane, the connection type can be divided as four ropes, two ropes and single rope according to crane, it has many types, which can be designed as orange peel for stone, steel scrap, rubbish and other irregular materials, which also can be designed as clamshell for coal, sand, mine, grain, clinker and other bulk materials, also can be designed as V shape for timber.



用途: 抓取物料比重为1.6t/m³的散装物料, 抓斗物料堆积角按30°计算。
Usage: when density of bulk material is 1.6t/m³, stocking angle of material should be designed as 30°.

总起重量 SWL (t)		6.3	8.0	10.0	12.5	16.0	20.0	25.0	
自重 Dead weight (kg)	4 倍率 4 rate	2300	2800	3440	4500	5600	7360	8800	
	5 倍率 5 rate	2460	2880	3600	4660	5760	7520	9000	
斗容 Capacity (m³)	4 倍率 4 rate	2.5	3.2	4.0	5.0	6.5	7.9	10.1	
	5 倍率 5 rate	2.4	3.2	4.0	4.9	6.4	7.8	10.0	
滑轮 Pulley	直径 Diameter (mm)	355	400	450	500	560	630	630	
钢丝绳 Wire rope	直径 Diameter (mm)	18	20	22	24	26	28	32	
	长度 Length (m)	4 倍率 4 rate	11.5	12.8	13.8	15.0	16.5	17.8	18.6
		5 倍率 5 rate	14.0	15.5	16.8	18.5	20.5	21.8	23.0
	行程 Route (m)	4 倍率 4 rate	5940	6600	7100	7680	8520	8920	9760
5 倍率 5 rate		7425	8250	8875	9600	10650	11150	12200	
外形尺寸 Overall dimensions (mm)	A	5080	3430	3700	4010	4380	4770	4990	
	B	2600	2900	3100	3350	3640	4020	4120	
	C	2220	2410	2610	2850	3070	3270	3530	
	D	2540	2760	2950	3160	3450	3680	3910	
	E	1800	1930	2070	2220	2420	2580	2730	
	F	460	600	800	1000	1100	1280	1280	
	G	380	430	480	530	590	670	670	



四绳双瓣机械抓斗 Four ropes mechanical clamshell grab
滑轮倍率: 4 Rate of pulley: 4
打开方向: 纵向 Open direction: longitudinal

用途: 抓取物料比重为0.6~1.6t/m³的散装物料。表中自重按抓斗完全闭合计算。
Usage: density of bulk material is 0.6~1.6t/m³, the dead weight in sheet is designed when grab closed completely.

总起重量 SWL (t)		5.0	6.3	8.0	10.0	12.5	16.0	20.0	25.0	
自重 Dead weight (kg)	3 倍率 3 rate	2640	3120	3820	4640	5740	7520	9360	11520	
	4 倍率 4 rate	2700	3190	3910	4760	5920	7760	9680	11860	
	5 倍率 5 rate	2760	3260	4000	4880	6100	8000	10000	12200	
斗容 Capacity (m³)		1.4	1.9	2.5	3.2	4.0	5.0	6.3	8.0	
斗瓣数量 No. of peels		6	6	6	6	6	6	6	6	
滑轮 Pulley	直径 Diameter (mm)	315	355	400	450	500	560	630	630	
	直径 Diameter (mm)	16	18	20	22	24	26	28	32	
钢丝绳 Wire rope	长度 Length (m)	3 倍率 3 rate	9.9	10.5	11.7	12.8	13.6	15.0	16.7	17.4
		4 倍率 4 rate	11.1	11.8	13.1	14.3	15.3	16.8	18.7	19.4
	5 倍率 5 rate	12.3	13.0	14.5	15.8	17.0	18.5	20.6	21.5	
	行程 Route (mm)	3 倍率 3 rate	3660	3750	4200	4530	4950	5190	5850	6210
		4 倍率 4 rate	4880	5000	5600	6040	6600	6920	7800	8280
5 倍率 5 rate	6100	6250	7000	7550	8250	8650	9750	10350		
外形尺寸 Overall dimensions (mm)	A	2680	2860	3250	3480	3780	4060	4620	4750	
	B	2250	2420	2740	2930	3200	3440	3800	3990	
	C	2290	2460	2780	2910	3160	3380	3830	4020	
	D	3160	3380	3820	4060	4430	4660	5140	5480	
	E	160	180	600	800	1000	1100	1280	1280	

木材抓斗 Timber Grab

木材抓斗根据起重机或工程机械的配套情况可分成：电动液压木材抓斗、液压木材抓斗、单索木材抓斗、双索木材抓斗、四索木材抓斗。木材抓斗诞生与发明不仅提高了生产效率，最关键的是装卸木材时人机分离，大大提高了的安全性。

Timber grab can be divided as following types according to type of crane and engineering machine: motor hydraulic timber grab, hydraulic timber grab, single rope timber grab, two ropes timber grab and four ropes timber grab etc. Timber grab has greatly improved working efficiency, the most important is becoming safer when loading and unloading timber as the machine is separated with human.



集装箱吊具 Container Spreader

液压伸缩吊具是专门为集装箱岸边格式起重机而配套设计的，也可用于轨道式龙门起重机。适用于ISO标准20英尺和40英尺集装箱装卸作业，额定起吊重量为40吨。CDNS1系列集装箱吊具采用液压系统驱动，是一种自动化程度和作业效率较高的集装箱吊具，特别适用于大型集装箱货场和对装卸速度要求较高的场合。

Hydraulic telescopic container spreader is especially designed for shore container crane, which also can be used with gantry crane. It is suitable to lift 20 ft and 40 ft containers. SWL is 40T.

CDNS1 series spreader is driven by hydraulic system, its automatic working provides high working efficiency, especially for large container loading and unloading yard.



功能抓斗 Function Grab



疏浚抓斗 Dredging grab

防漏抓斗 Leakproof grab

镍矿抓斗 Nickel ore grab

CDNS1系列适用于操作ISO标准20'40'集装箱 CDNS1 series spreader is for operation with ISO Standard 20', 40' and 45' containers		控制电压 Control voltage	AC 220V(可选) Optional
额定起重量 Rated lifting load	41t	总功率 Total power	≤8kw
允许载荷偏心 Allowable load eccentricity	±10%	防护等级 Protection class	IP 55
四角吊耳负重 Load of lifting lugs at four corner	10t*4	系统工作压力 Operating pressure of the system	100 bar
自重(吊具部分) Dead weight(spreader)	14.5t	环境温度 Ambient temperature	-20℃ ~ +45℃
伸缩(20'到40') Expansion time (20' to 40')	~30s	转锁形式 Twistlock mode	ISO浮动转锁, 油缸驱动ISO floating twistlock, driven by an oil cylinder
转锁(90°) Twistlock rotation 90°	~1s	伸缩驱动方式 Telescopic mode	液压马达驱动链轮/滚子链传动 The telescopic system is driven by means of a hydraulic motor and reduction gearbox connected to an endless chain
导板(180°) Flippers	5~7s	导板装置 Flippers device	可拆卸式导板 Knock-down flippers
调心(±1200mm) Gravity point adjustment (±1200mm)	~25s	旋转驱动方式 Rotatory mode	液压马达驱动 The rotatory motion are driven by hydraulic motor
旋转(±220°) Rotation (±220°)	~35s	适用 Application	岸桥, 轨道吊, 轮胎吊, 门座式起重机, 臂架起重机 QC, RMG, RTG, Portal crane, Jib crane.
电源电压/频率 Power voltage/Frequency	AC 380V (3P/50HZ)		

新I型半自动吊具 New I Type Semi Automatic Container Spreader

此吊具采用新型的I型结构，具有吊点间距小，悬挂高度小和刚度大的优点。
The new type spreader adopts I type, which has advantages of less lifting point spacing, less lifting height and high stiffness.



移动式吊具 Movable Container Spreader

此吊具适合在集装箱数量不多的码头和场地使用。适用于20ft to 45ft集装箱。可用在门座式起重机和堆垛起重机下面。

This kind of spreader is suitable to be used on ports and sites which have less containers. And it is suitable to lift 20 ft to 45 ft containers. It can be used with portal crane and stacker crane.



半自动吊具 Semi Automatic Container Spreader

半自动吊具通过吊钩固定在起重机上。旋锁是通过拉钢丝绳机械控制的。不需要起重机的工人帮助挂接/脱钩。安装简单方便，大大节省了从吊钩起重到集装箱起重的转换时间；此产品不需要供电也不需要起重机控制电路的升级。

Semi automatic container spreader is fixed on crane by hook. The twisting block is controlled by lifting wire rope. There is no need for crane operator to articulated/decoupling. Easy installation and save more transformation time from the hook to container, can work without electric and no need to update crane control circuit.



适用于操作ISO标准20'集装箱 For operation with ISO standard 20' containers		适用于操作ISO标准40'集装箱 For operation with ISO standard 40' containers	
额定起重量 Rated lifting load	35t	额定起重量 Rated lifting load	35t
自重 Dead weight	2.2t	自重 Dead weight	4.6t
允许载荷偏心 Allowable load eccentricity	±10%	允许载荷偏心 Allowable load eccentricity	±10%
弹性拉索行程 Spring stroke	100mm	弹性拉索行程 Spring stroke	100mm
环境温度 Ambient temperature	-20°C ~ +45°C	环境温度 Ambient temperature	-20°C ~ +45°C
转销形式 Twistlock mode	ISO浮动转销，自动弹性拉索驱动 ISO floating twistlock, driven by a automatic spring	转销形式 Twistlock mode	ISO浮动转销，自动弹性拉索驱动 ISO floating twistlock, driven by a automatic spring
导板装置 Flippers device	固定导板，无动力装置 No power, fixed flippers	导板装置 Flippers device	固定导板，无动力装置 No power, fixed flippers.
适用 Application	门座式起重机，龙门起重机，厂房内起重机 Portal crane, gantry crane, crane in plant	适用 Application	门座式起重机，龙门起重机，厂房内起重机 Portal crane, gantry crane, crane in plant

自动挂钩式超高架 Automatic Hook Type Overheight Frame

适用于操作标准20' 40' 45'集装箱 For operation with ISO standard 20', 40' and 45' containers		适用于操作标准20' 40' 45'集装箱 For operation with ISO standard 20', 40' and 45' containers	
额定起重量 Rated lifting load	50t	额定起重量 Rated lifting load	50t
自重 Dead weight	挂钩式吊架 Hook type lifting frame 2.1t	自重 Dead weight	挂钩式吊架 Hook type lifting frame 2.25t
	挂钩式底架 Hook type chassis 2.9t		挂钩式底架 Hook type chassis 3.78t
有效高度 Available height	2000mm	有效高度 Available height	2000mm
应用范围 Alication	应用于装卸顶部开口的ISO标准集装箱及超高货物的台架；也应用于装卸平板架，其必须符合ISO标准的接口及尺寸。 Handling of open top ISO container and flat racks having overheight loads. Also handles pallets with ISO fittings and dimensions.	应用范围 Alication	应用于装卸顶部开口的ISO标准集装箱及超高货物的台架；也应用于装卸平板架，其必须符合ISO标准的接口及尺寸。 Handling of open top ISO container and flat racks having overheight loads. Also handles pallets with ISO fittings and dimensions.
驱动 Actuation	所有的运行过程均由吊具驱动控制，如：转销的开闭锁；伸缩定位等。 All functions are controlled by the master spreader; ie. Actuation of the twistlocks or telescoping of the master spreader is duplicated on the slave unit.	驱动 Actuation	所有的运行过程均由吊具驱动控制，如：转销的开闭锁；伸缩定位等。 All functions are controlled by the master spreader; ie. Actuation of the twistlocks or telescoping of the master spreader is duplicated on the slave unit.

自动 Automatic



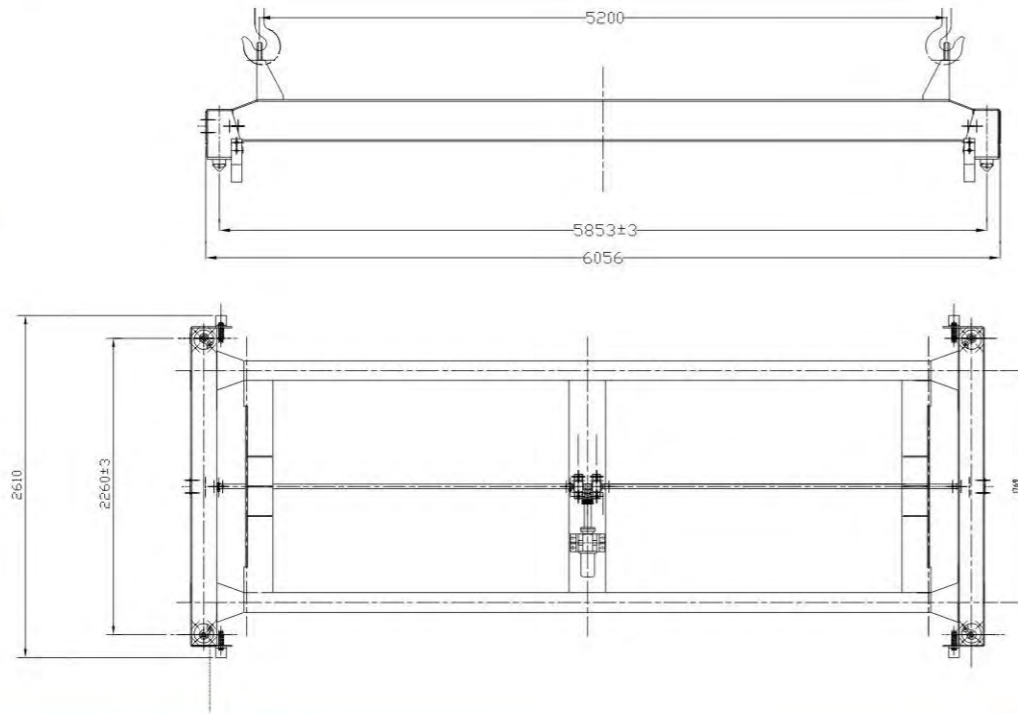
手动 Manual



手动超高架 Manual Operated Overheight Frame

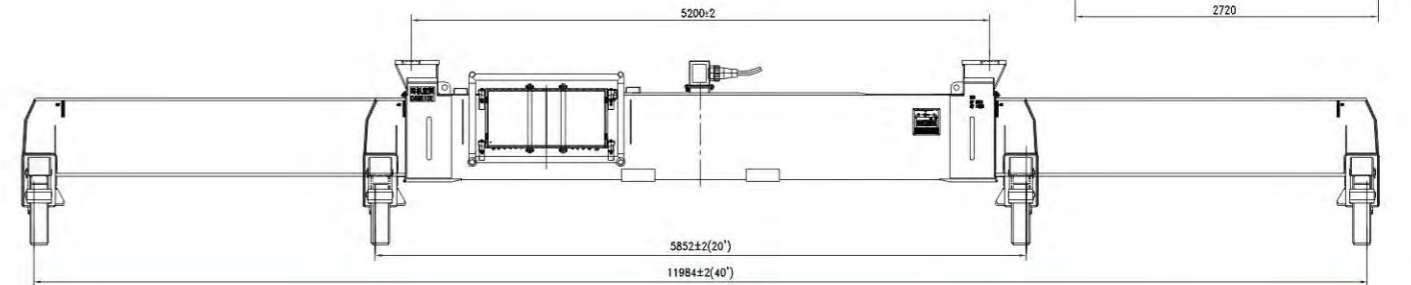
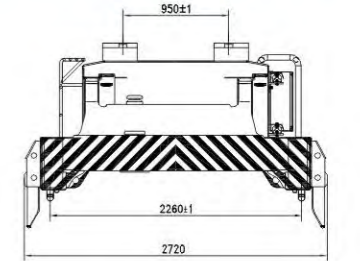
适用于操作标准20' 集装箱 For operation with ISO standard 20' containers		适用于操作标准40' 集装箱 For operation with ISO standard 40' containers	
额定起重量 Rated lifting load	41t	额定起重量 Rated lifting load	50t
自重 Dead weight	2.8t	自重 Dead weight	3.5t
有效高度 Available height	1800mm	有效高度 Available height	1800mm
应用范围 Alication	应用于装卸顶部开口的ISO标准集装箱及超高货物的台架；也应用于装卸平板架，其必须符合ISO标准20'集装箱的接口的平板架。 Handling of open top 20' ISO container and flat racks having overheight loads. Also handles pallets with 20' ISO fittings and dimensions.	应用范围 Alication	应用于装卸顶部开口的ISO标准集装箱及超高货物的台架；也应用于装卸平板架，其必须符合ISO标准40'集装箱的接口的平板架。 Handling of open top 40' ISO container and flat racks having overheight loads. Also handles pallets with 40' ISO fittings and dimensions.
驱动 Alication handling	本超高架与吊具的连接、分离是由吊具的转销来完成的；超高架转销的开闭锁动作由人工操作控制完成。 With help of the spreader twistlocks, the overheight can be safe attached/detached to the spreader. Actuation of the overheight twistlocks is handled by the terminal people.	驱动 Drive	本超高架与吊具的连接、分离是由吊具的转销来完成的；超高架转销的开闭锁动作由人工操作控制完成。 With help of the spreader twistlocks, the overheight can be safe attached/detached to the spreader. Actuation of the overheight twistlocks is handled by the terminal people.

电动吊具 Electric Spreader



型号 Model: GBM-20/40	弹性拉索行程 Spring stroke	100mm
适用于操作ISO标准20'或40'集装箱 For operation with ISO standard 20' or 40' containers	环境温度 Ambient temperature	-20°C~+45°C
额定起重量 Rated lifting load	35t	转销形式 Twistlock mode
自重 Dead weight	4.9t / 6.9t	导板装置 Flippers device
允许载荷偏心 Allowable load eccentricity	±10%	适用 Application
		电动推杆重锤式自动转销方式 Linear actuator heavy hammer type automatic resell way
		固定导板, 无动力装置 No power, fixed flippers
		门座式起重机, 龙门起重机, 厂房内起重机 Portal crane, gantry crane, crane in the plant

固定导板液压单箱吊具 Fixed Flipper Hydraulic Single-lift Spreader



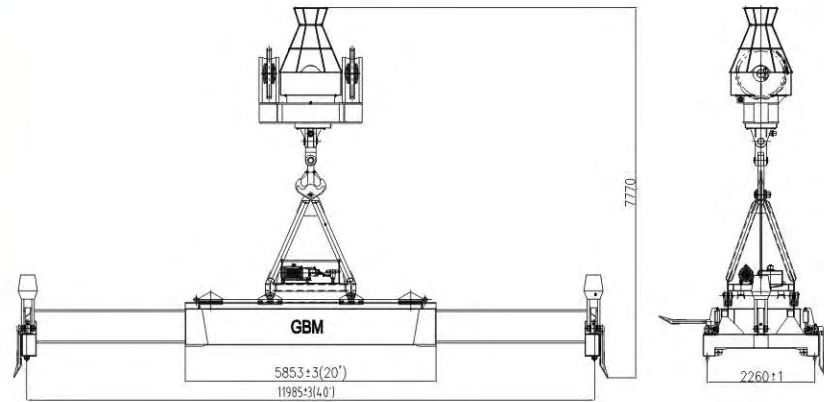
型号 Model: GBM20-40PY	控制电压 Control voltage	AC 220V (可选optional 客户确认 as agreed)
适用于操作ISO标准20' 40'集装箱 For operation with ISO standard 20' and 40' containers	总功率 Total power	≤ 8kw
额定起重量 Rated lifting load	41t	防护等级 Protection class
允许载荷偏心 Allowable load eccentricity	±10%	IP 55
四角吊耳负重 Load of lifting lugs at four corner	10t×4	系统工作压力 Operating pressure of the system
自重(吊具部分) Dead weight (spreader)	9.5t	100 bar
伸缩(20'到40') Expansion time (20' to 40')	~ 30s	环境温度 Ambient temperature
转销(90°) Twistlock rotation 90°	~ 1s	-20°C ~ +45°C
导板(180°) Flipper through 180°	5~7s	转销形式 Twistlock mode
调心(±1200mm) Gravity point adjustment (±1200mm)	~35s	ISO浮动转销, 油缸驱动 ISO floating twistlock, driven by an oil cylinder
电源电压/频率 Power voltage/ Frequency	AC 380V(3P)/50Hz (可选optional 客户确认 as agreed)	伸缩驱动方式 Telescopic mode
		液压马达驱动链轮/滚子链传动 The telescopic system is driven by means of a hydraulic motor and reduction gearbox connected to an endless chain.
		导板装置 Flippers device
		摆动油缸驱动, 配有六只导板 The corner flippers are driven by swing cylinder, six side-flipper arm configuration
		适用 Application
		门座式起重机, 臂架起重机 Portal crane, Jib crane



吊具配件: 导板、锁销、钢丝绳、连杆机构
Accessories for container spreader: flippers, lockpin, wire rope, link gear



旋转吊具 Rotating Spreader



型号 Model: GBM20-40XZD	控制电压 Control voltage	AC 220V (可optional 客户确认as agreed)
适用于操作ISO标准20' 40'集装箱 For operation with ISO standard 20' and 40' containers	总功率 Total power	≤ 8kw
额定起重量 Rated lifting load	防护等级 Protection class	IP 55
允许载荷偏心 Allowable load eccentricity	系统工作压力 Operating pressure of the system	100bar
四角吊耳负重 Load of lifting lugs at four corner	环境温度 Ambient temperature	-20°C~+45°C
自重 (吊具部分) Dead weight (spreader)	转销形式 Twistlock mode	ISO浮动转销, 油缸驱动 ISO floating twistlock, driven by an oil cylinder
伸缩 (20'到40') Expansion time (20'to 40')	伸缩驱动方式 Telescopic mode	液压马达驱动链轮/滚子链传动 The telescopic system is driven by means of a hydraulic motor and reduction gearbox connected to an endless chain.
转销 (90°) Twistlock rotation 90°	导板装置 Flippers device	可拆卸式导板 Knock-down flippers
导板 (180°) Flipper through 180°	旋转驱动方式 Rotatory mode	液压马达驱动 The rotatory motion are driven by hydraulic motor
调心 (±1200mm) Gravity point adjustment (±1200mm)	适用 Application	岸桥, 轨道吊, 轮胎吊 QC, RMG, RTG
旋转 (±220°) Rotation (±220°)		
电源电压/频率 Power voltage/ Frequency		AC 380V(3P)50Hz (可optional/客户确认as agreed)

工索具 Hook

吊梁-我司生产的吊梁具有吨位大, 多吊点, 广泛应用于各种大型散杂货码头吊装非标货物。

Lifting beam-GBM lifting beam with advantages of high capacity, more lifting points, which is widely used on all kinds of ports for loading non-standard bulk cargo.



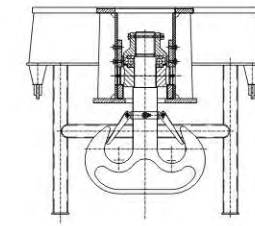
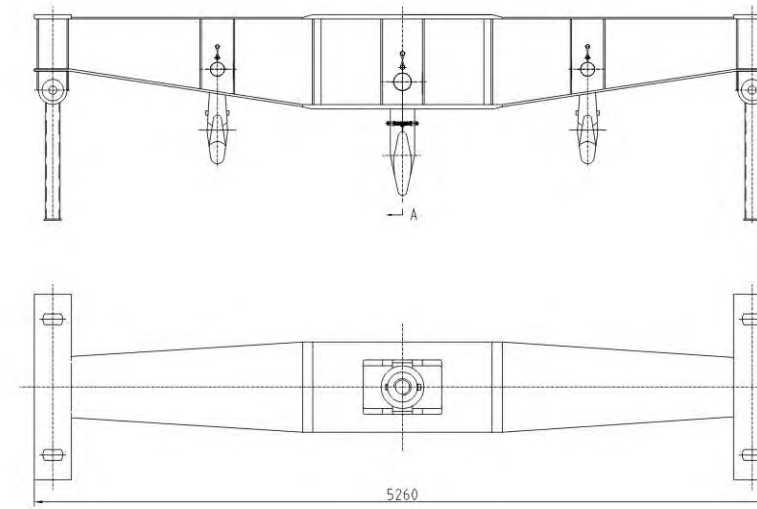
C型钩 C-type Hook

C型钩-主要用于钢卷的水平吊运, 采用低碳优质合金钢制造。我们可根据客户使用现场情况提供各式夹具。

C-type hook is mainly used to load coil horizontally, low carbon high quality alloy steel adopted. We can provide different kinds of clamps according to customer's site.



吊钩横梁 Cargo Beam



型号 Model: GBM-30~100T	钢板预处理 Pre-treatment of steel	喷丸、涂施工保护漆 Blasting, protective painting
适用于装卸杂货 For operation with bulk cargo		
额定起重量 Rated lifting load	30~50t; 50~80t; 80~100t	结构涂装 Painting of structures
自重 Dead weight	3.3t; 3.5t; 4.3t	环氧富锌底漆2层, 中层漆1层, 氯化橡胶面漆2层 最小涂层厚度: 220微米 Two coats of epoxy zinc-rich primer, one middle coat, two coats of chlorinated rubber facings, min. film thickness in microns: 220



灌包机 Bagging Machine

灌包机的出现大大改善了码头的装卸效率，抓斗抓取散货卸船时，由于车辆等因素，灌包机可以将货物通过漏斗口直接装袋打包，让卸货成为一项非常简单与愉快的事情。灌包机分为，集装箱式、一般移动，固定等多种形式，根据业主需求定做。

Bagging machine has improved loading and unloading efficiency on ports, bagging machine can bag package directly from outlet to make loading and unloading easier when grab unloading bulk material from the ship. Bagging machine has many types, such as containerized, movable, fixed types. We can design it according to customer's request.

本机由包装机、集装箱、重力料斗、自动称重控制系统、配电箱、输送机、缝包机、气动系统、除尘器、空气压缩机等组成。全部集成在两只集装箱内。集装箱下安装拖轮，可由拖车拖至工作场所。

The bagging machine contains bag packing machine, containers, gravity hopper, automatic weighing control system, electric control cabin, conveyor, sewing machine, air-operated system, dust collector and air compressor. These are all put into two containers. The containers are installed with tug, which can be dragged to working place by trailer.

物料：化肥、粮食、饲料、散糖、硫磺、矿砂等自由流动物料。

Bagging material: chemical fertilizers, grain, feed, bulk sugar, sulphur, ore and some other free flow materials.

应用场所：它可用于码头、堆场、仓库等地使用

Application: can be used on port, storage yard, warehouse and some other places.

型号 Model	生产线 Production line	称量范围 Weighing scale	精度 Precision	装包速度 Bag packing speed	电源 Power source	外型尺寸 Overall dimensions
GBM-I	单线双秤 Single line two scales	25 : 100kg	0.20%	12~20 包/分 bags/min	AC380V 12Kw	集装箱(两只) Two containers
GBM-II	双线双秤 Two lines two scales	25 : 100kg	0.20%	24~40包/分 bags/min	AC380V 15Kw	或6*3*5.8米 or 6*3*5.8m
工作环境 Working environment	-20℃ ~+40℃			气体压力 Gas pressure	0.55~0.65MPa	
包装袋 Packing bag	敞口袋 PP编织袋或麻袋 800--1250(L)×500~800(W)mm Open bag, PP woven bag or sacks 800--1250(L)×500~800(W)mm					
进料方式 Way of supplying material	重力式 螺旋给料 皮带给料 振动给料 组合形式 Gravity type, spiral feeding, conveyor belt feeding, vibration feeding combined.					
传感器形式 Sensor type	三支点悬挂式 Three pivot hanging type					
灌包方式 Bagging type	自动定量称重；人工套袋；自动充填；人工辅助，机器缝包； Automatic quantitative weighing, artificial bagging, automatic filling, artificial assistance, machine to sewing bag.					



漏斗 Hopper

漏斗的出现大大改善了码头的装卸效率，抓斗抓取散货卸船时，由于车辆等因素，漏斗可以将货物通过漏斗再漏到车上或是皮带机上，让卸货成为一项非常简单与愉快的事情。漏斗分为，可移动，固定，除尘，不除尘等多种形式，根据业主需求定做。

Hopper has improved loading and unloading efficiency on ports, hopper can load material to truck or conveyor belt to make loading and unloading easier when grab loading bulk material from the ship. Hopper has many types, such as movable, fixed, dust proof, non-dustproof type. We can design hoppers according to customer's request.

